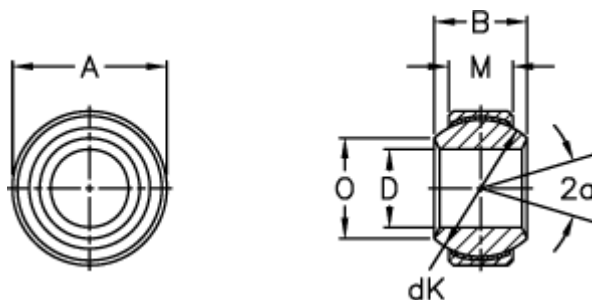


Article number: 03507010

Description: Fluro Rod end GE 10FW

## Measures



A	= 22 0 -0,009	Tilt angle = 18
B	= 12	Weight = 20
D	= 10 0 -0,008	
dK	= 18	
Dynamic load C (kN)	= 11.4	
M	= 7	
O	= 13.4	
Static load C0 (kN)	= 28.5	